

KANSAL[®]



RCC PIPES



INTERLOCKING PAVERS



GRATINGS



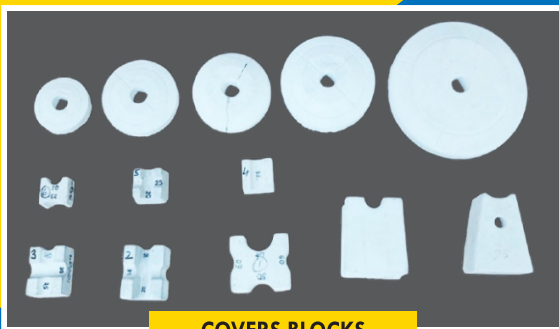
CHECKER TILES



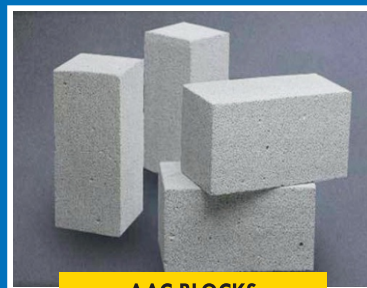
NEW JERSEY BARRIERS



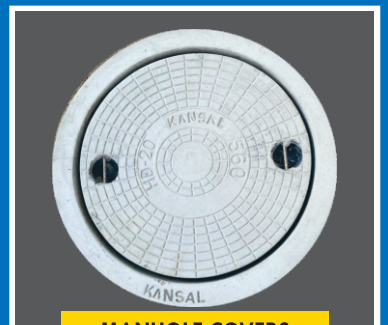
KERBSTONES



COVERS BLOCKS



AAC BLOCKS



MANHOLE COVERS



GARDEN BENCH

VP PRECON LLP

A Unit of Kansal Group of Ind.

Kansal House : 509/5, Govind Puri

Maa Anand Mai Marg, New Delhi-110019, INDIA

Tel. : +91-11-42487333, +91-9818990333

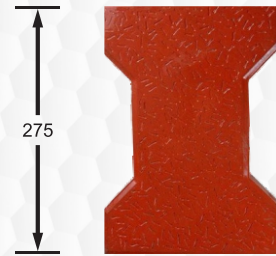
E-mail : info@kansalconcrete.com

Web. : www.kansalconcrete.com

WORKS : MATHURA | GREATER NOIDA | FARIDABAD



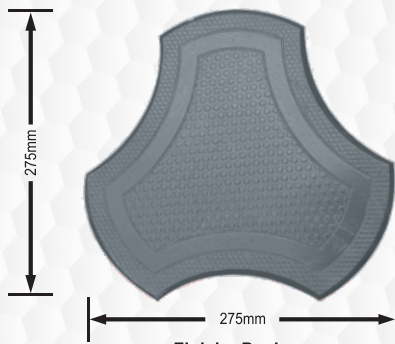
BRUCE



Finish - Itching / Vermicular

Thickness	1m ²	100 Ft.
80/60 mm	22.5 pcs.	209 pcs.

COSMIC



Finish - Design

Thickness	1m ²	100 Ft.
60 mm	19 pcs.	176.4 pcs.



OXFORD



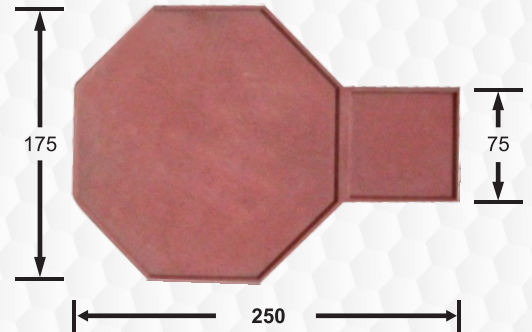
Finish - Itching / Vermicular

Thickness	1m ²	100 Ft.
60 mm	20.5 pcs.	191 pcs.





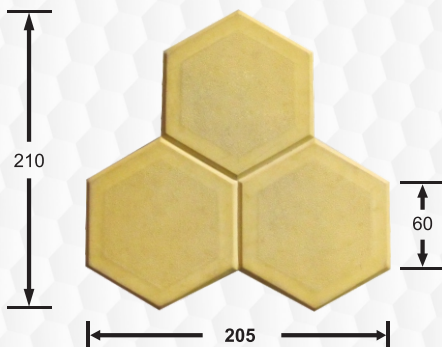
SPOON



Finish - Smooth / Plain

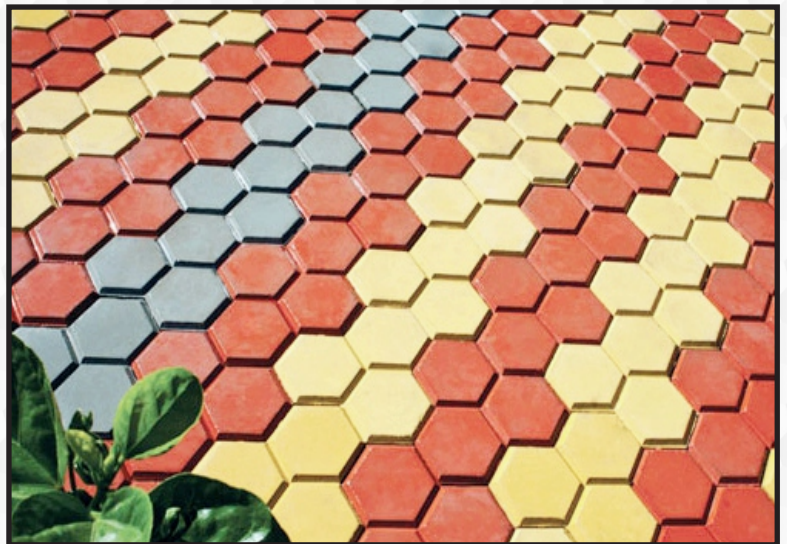
Thickness	1m ²	100 Ft.
80 mm	32 pcs.	297 pcs.

TRI - HEX

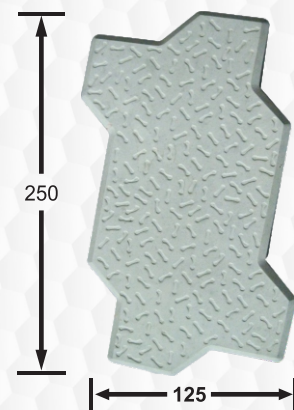


Finish - Sand and Plain

Thickness	1m ²	100 Ft.
80 mm	36 pcs.	334 pcs.

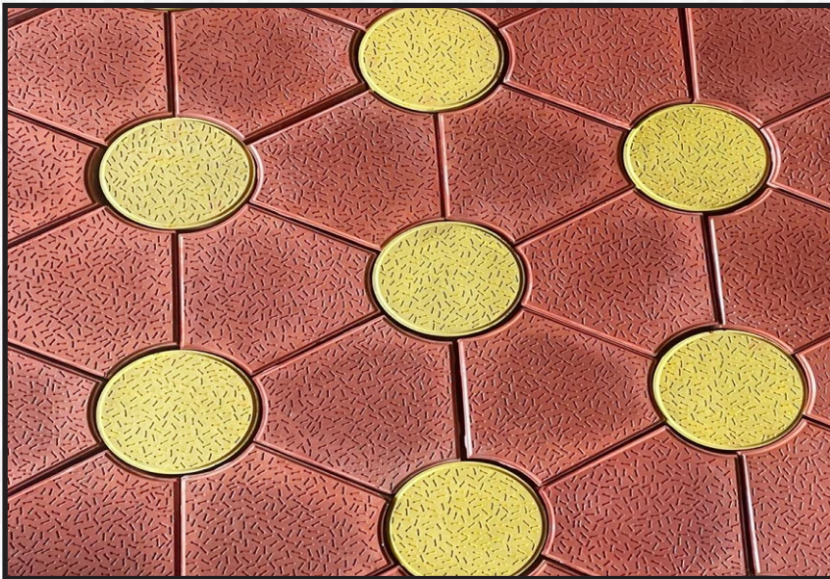


ZIG-ZAG / UNIPAVER

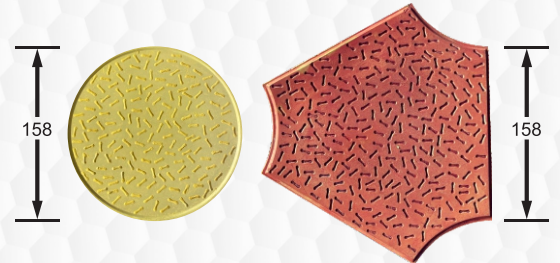


Finish - Itching / Vermicular

Thickness	1m ²	100 Ft.
80/60 mm	32 pcs.	297 pcs.



MOON BLOSSOM



Finish - Itching / Vermicular

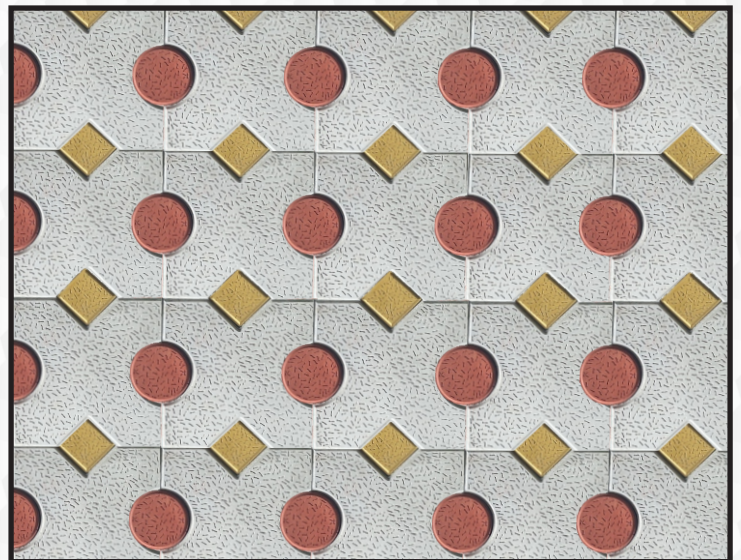
Thickness	100 Ft.	
50 mm	Triangular/Circular	
	200+100 pcs.	

CROSS WITH FILLER

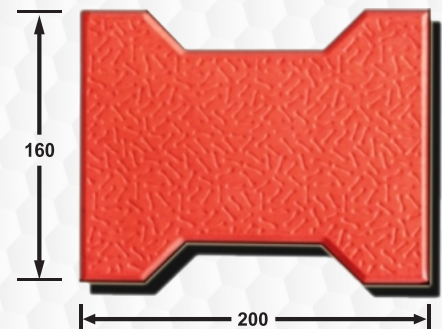


Finish - Itching / Vermicular

Thickness	1m ²	100 Ft.
60 mm	10.75 pcs.	100 Sets

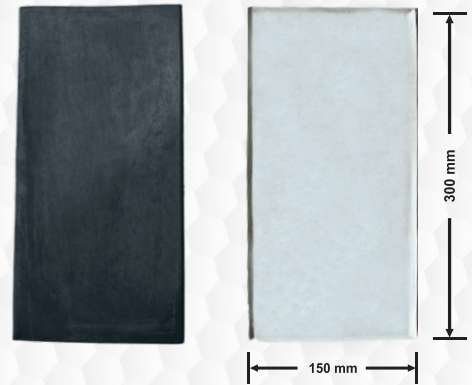
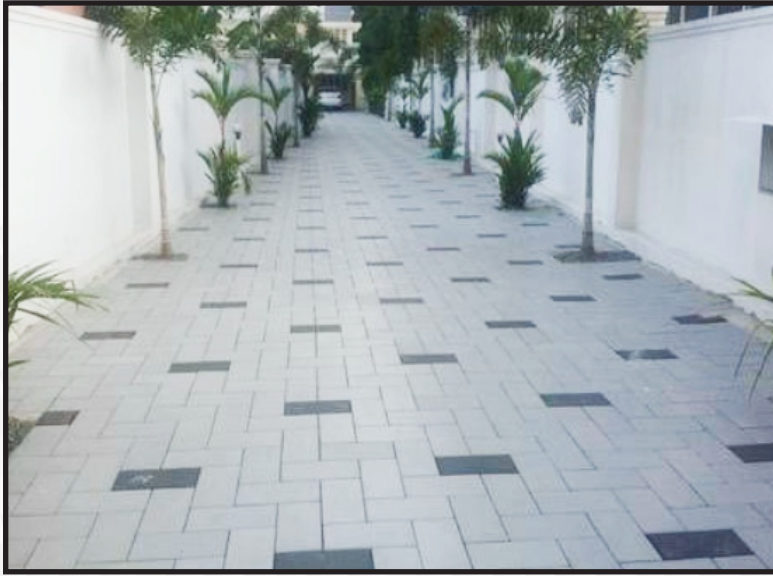


I-SHAPE / DUMBLE



Finish - Itching / Vermicular

Thickness	1m ²	100 Ft.
60/80 mm	35 pcs.	325 pcs.



Finish - Plain

SIZE 300x150x60/80mm

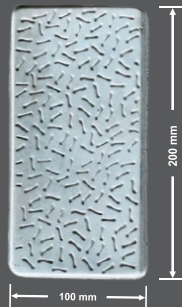
AREA 22pcs/m²



Finish - Wooden

SIZE 300x150x60/80mm

AREA 22pcs/m²



Finish - Plain

SIZE 200x100x80mm

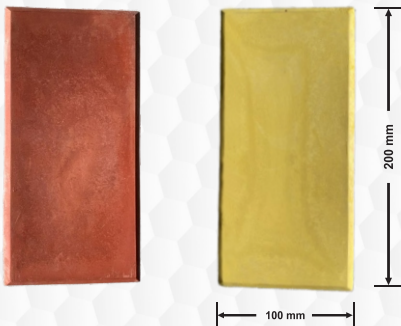
AREA 50pcs/m²



Finish - Plain

SIZE 300x150x60/80mm

AREA 22pcs/m²



Finish - Plain

SIZE 200x100x60mm

AREA 50pcs/m²





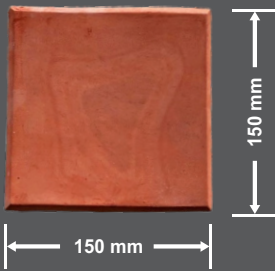
200 mm

200 mm

Finish - Natural Stone

SIZE 200x200x60/80mm

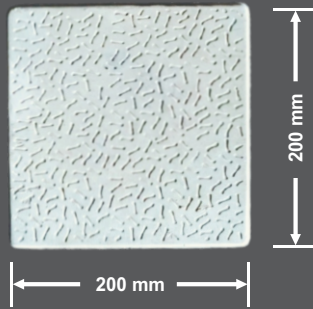
AREA 25pcs/m²



Finish - Plain

SIZE 150x150x60mm

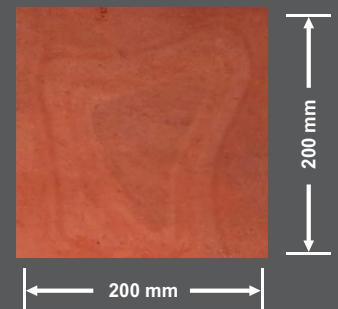
AREA 44pcs/m²



Finish - Itching/Vermticular

SIZE 200x200x60/80mm

AREA 25pcs/m²



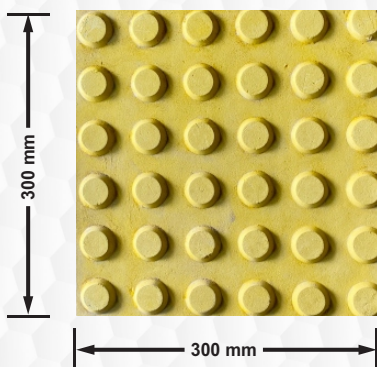
Finish - Plain (Sharp Edge)

SIZE 200x200x60/80mm

AREA 25pcs/m²

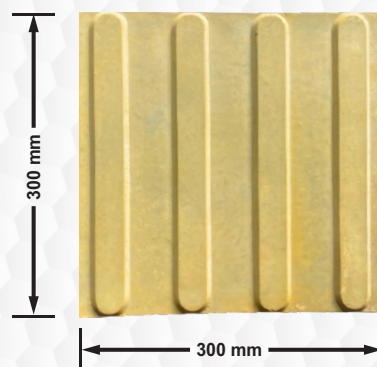
TACTILE

DIRECTION-1

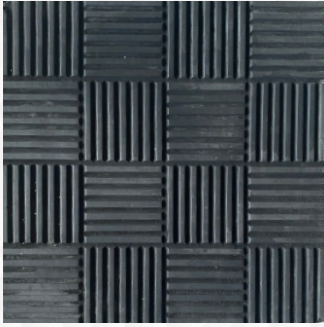


12"x12"
(300 x 300 x 25-60 mm)

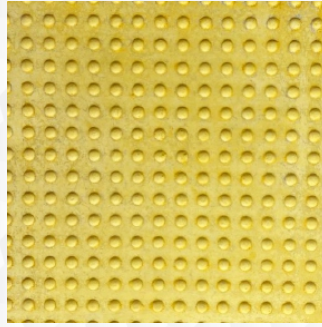
DIRECTION-2



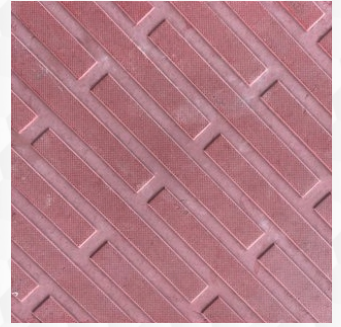
12"x12"
(300 x 300 x 25-60 mm)

PENCIL

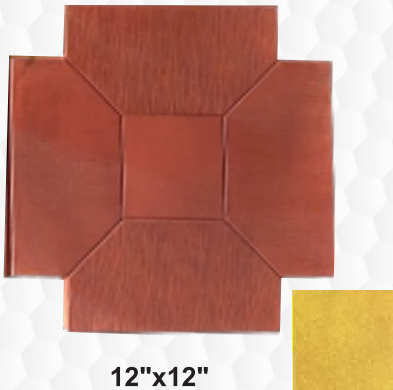
12"x12"
(300 x 300 x 22-25 mm)

ACCU-PRESSURE

12"x12"
(300 x 300 x 22-25 mm)

RATTI

12"x12"
(300 x 300 x 22-25 mm)

LEO

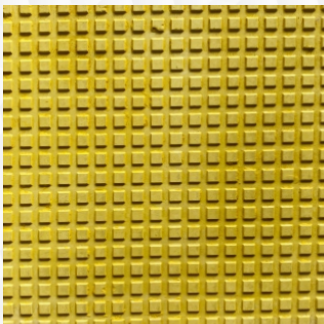
12"x12"
(300 x 300 x 22-25 mm)

CENTRO

12"x12"
(300 x 300 x 22-25 mm)

MINI RADIAL

12"x12"
(300 x 300 x 22-25 mm)

SQUARE BINDI

12"x12"
(300 x 300 x 22-25 mm)

16-DABBI

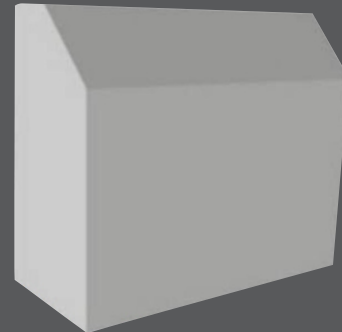
12"x12"
(300 x 300 x 22-25 mm)

ZORRO

12"x12"
(300 x 300 x 22-25 mm)



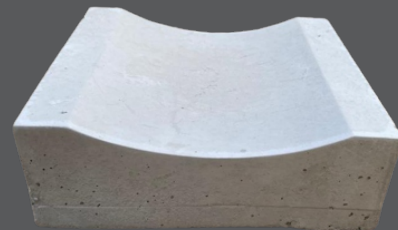
**KERBSTONE
ROUND SHAPE**



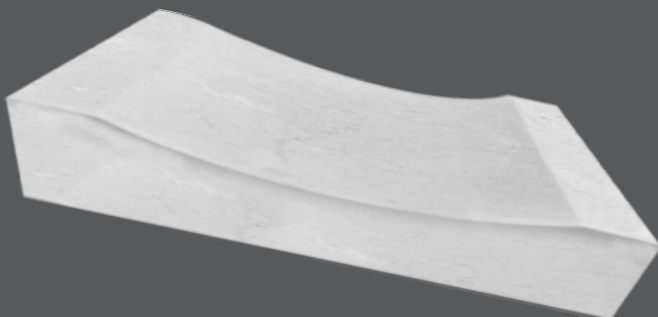
**KERBSTONE
TAPPER SHAPE**



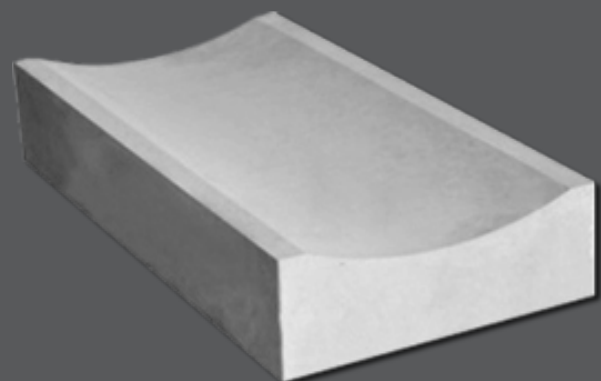
**SAUCER DRAIN
SHOE SHAPE**



**SAUCER DRAIN
(300X300X100mm)**

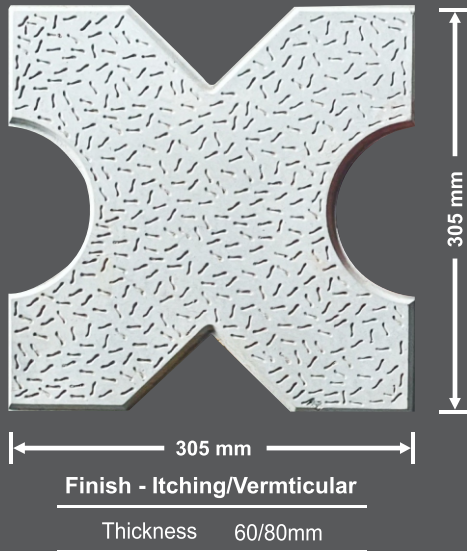


**SAUCER DRAIN
(600X300X100mm)**

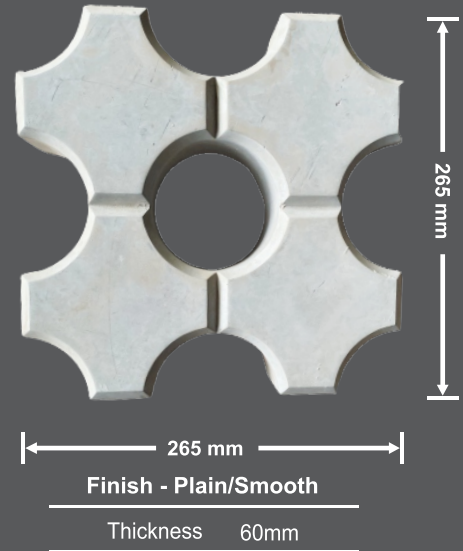


**SAUCER DRAIN
(300X600X100mm)**

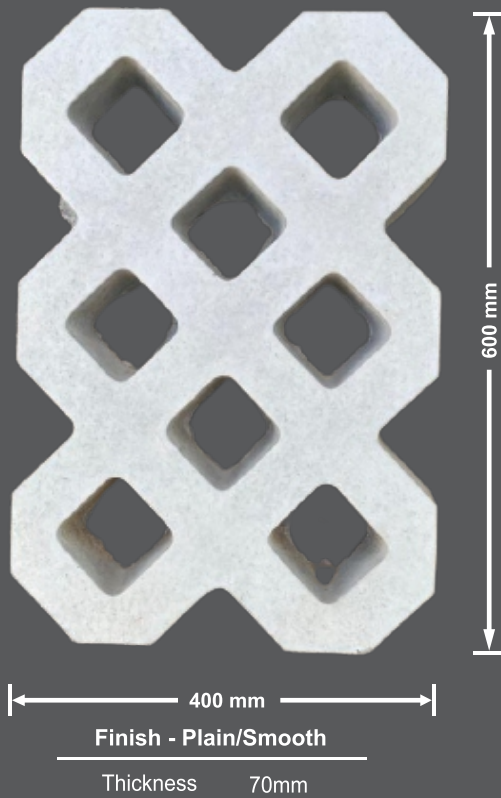
GRASS PAVER (GP-1)



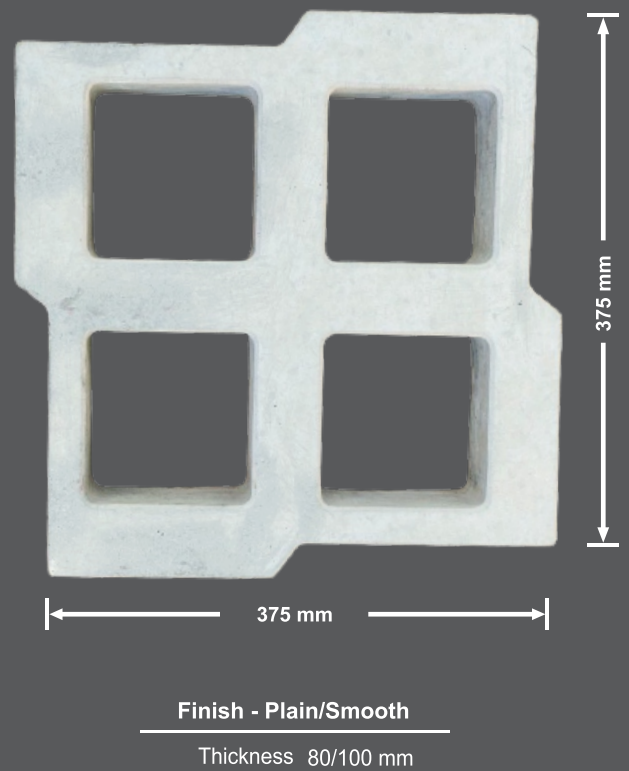
GRASS PAVER (GP-2)



GRASS GRID (GG-1)



GRASS GRID (GG-2)





**CIRCULAR MANHOLE COVER
WITH FRAME (ROUND)
(HEAVY DUTY)**



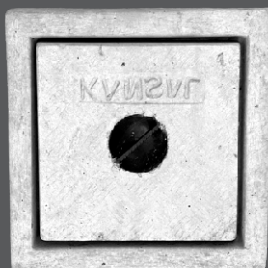
**SQUARE GULLY-GRATING
COVER WITH FRAME**



**PROFORATED
DRAIN COVER**



**MANHOLE COVER
WITH FRAME**



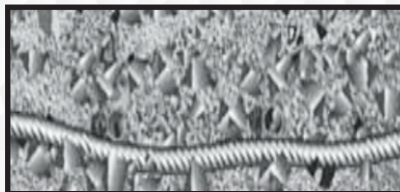
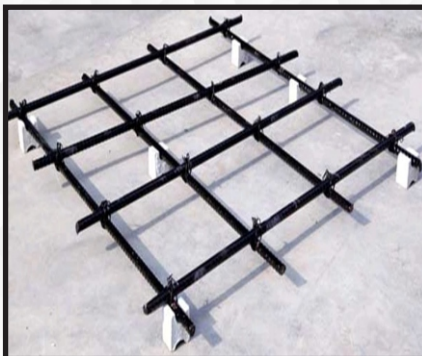
GT COVER WITH FRAME



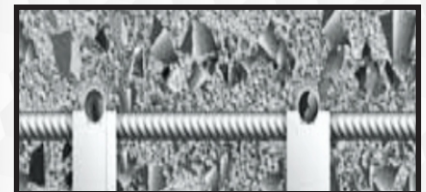
PLAIN DRAIN COVER

CONCRETE COVER BLOCKS

	<p>Size : 20-25 mm Dia of Reinforcement : 8-12 mm Cover : 20-25 mm Use : SLAB</p>		<p>Size : 65 mm Dia of Reinforcement : 8-25 mm Cover : 65 mm Use : PILING</p>
	<p>Size : 22 mm Dia of Reinforcement : 8-25 mm Cover : 25 mm Use : SLAB</p>		<p>Size : 75 mm Dia of Reinforcement : 8-25 mm Cover : 75 mm Use : PILING</p>
	<p>Size : 20-40 mm Dia of Reinforcement : 8-16 mm Cover : 20-40 mm Use : SLAB</p>		<p>Size : 35 mm Dia of Reinforcement : 8-12 mm Cover : 35 mm Use : COLUMN</p>
	<p>Size : 20-50 mm Dia of Reinforcement : 8-16 mm Cover : 20-50 mm Use : SLAB</p>		<p>Size : 50 mm Dia of Reinforcement : 8-12 mm Cover : 50 mm Use : COLUMN</p>
	<p>Size : 40-50-60 mm Dia of Reinforcement : 8-32 mm Cover : 30-40 mm Use : RAFT / BEAM / SLAB</p>		<p>Size : 75 mm Dia of Reinforcement : 8-32 mm Cover : 75 mm Use : RAFT</p>
	<p>Size : 40 mm Dia of Reinforcement : 8-12 mm Cover : 40 mm Use : COLUMN</p>		<p>Size : 50 mm Dia of Reinforcement : 8-32 mm Cover : 50 mm Use : SLAB</p>
	<p>Size : 50 mm Dia of Reinforcement : 8-12 mm Cover : 50 mm Use : COLUMN</p>		<p>Size : 40 mm Dia of Reinforcement : 8-32 mm Cover : 40 mm Use : COLUMN</p>

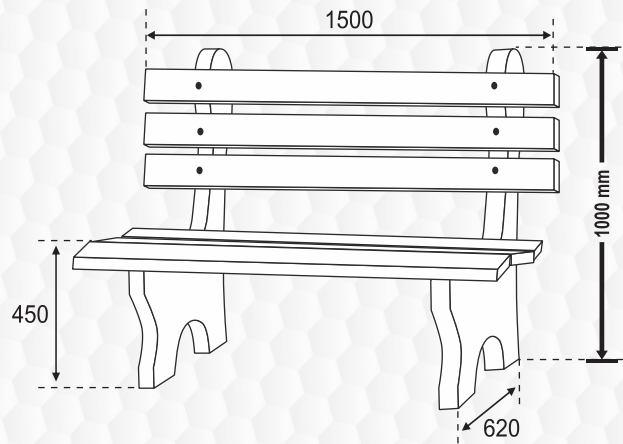


The use of concrete cover block ascertains the balance required to hold the reinforcement bars appropriately thus conserving uniform concrete distribution.

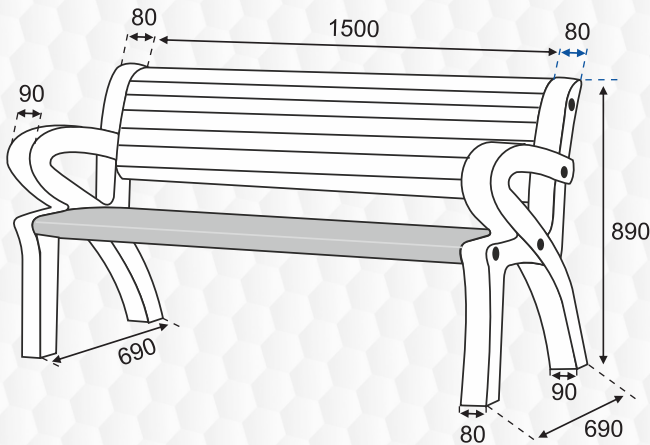


Revolution in Centering Technology, while Erecting centering, all bars has to be kept straight & in Particular order. For this concrete cover blocks are made which enables bar to remain in midst of concrete mixture.

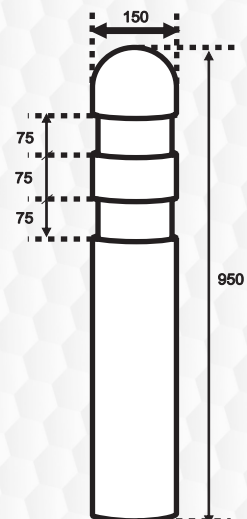
GARDEN BENCH-1



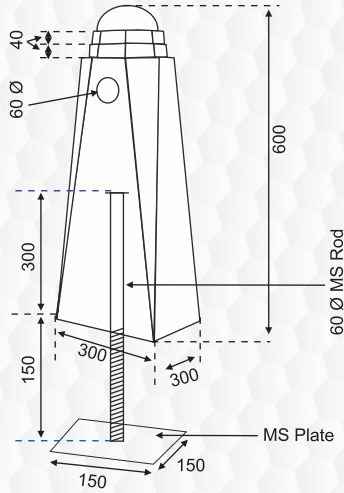
GARDEN BENCH-2



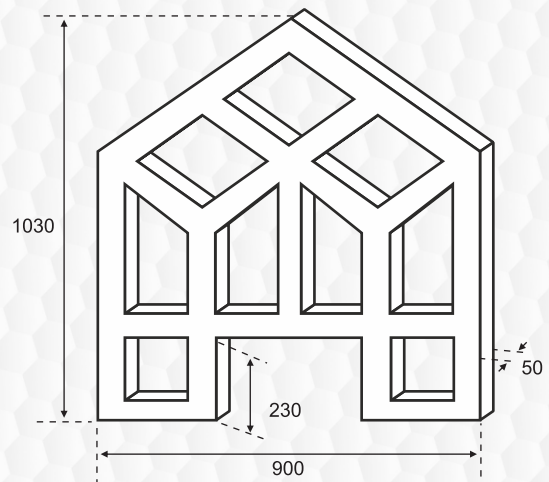
CYLINDRICAL BOLLARD



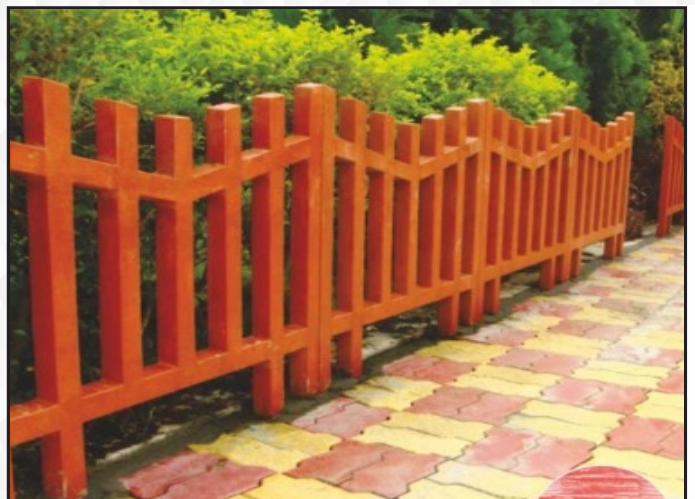
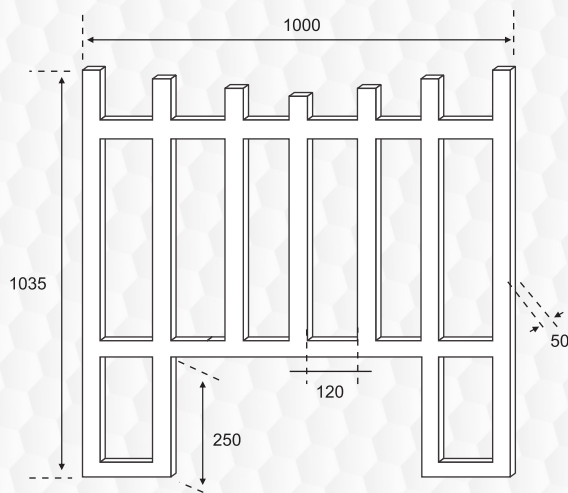
MINI INDIA GATE BOLLARD



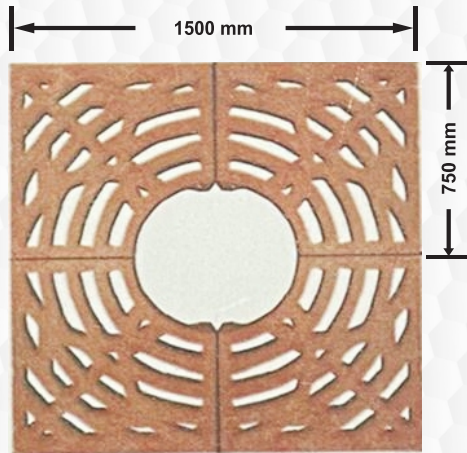
DIAMOND SHAPE FENCING JALI



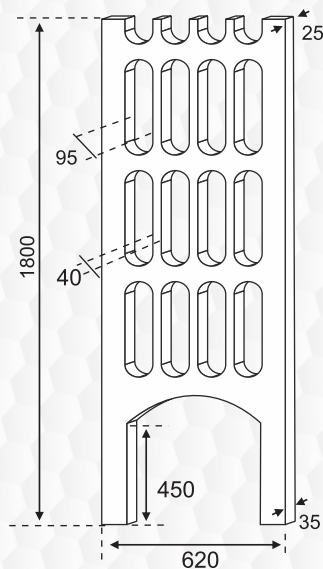
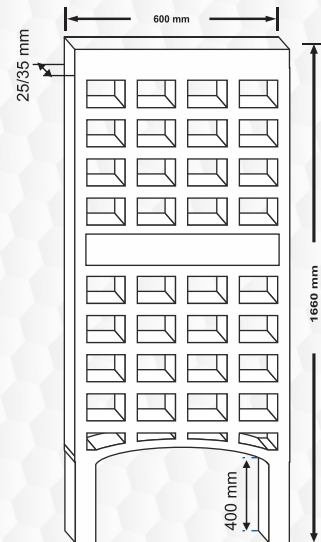
“V” SHAPE FENCING JALI



TREE SURROUND

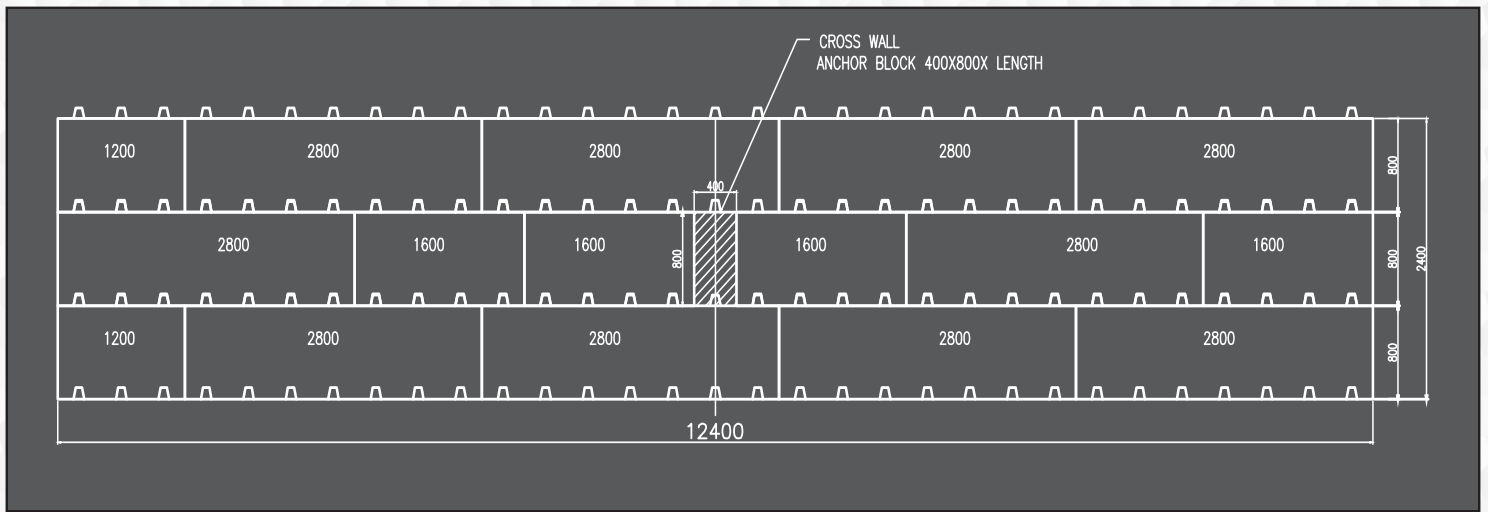


TREE GUARD - 1

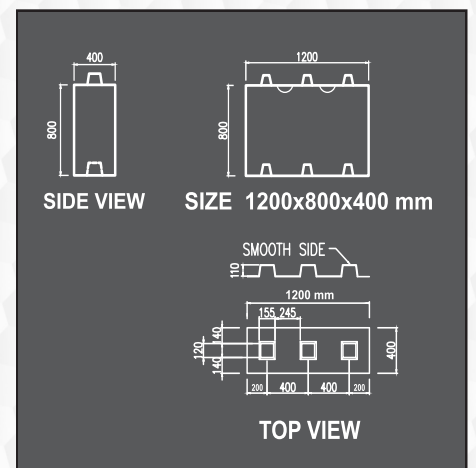
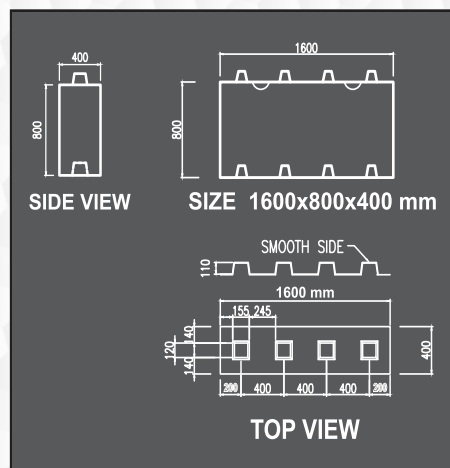
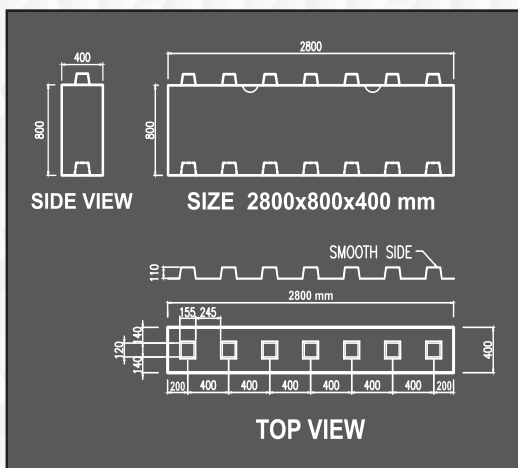


TREE GUARD - 2





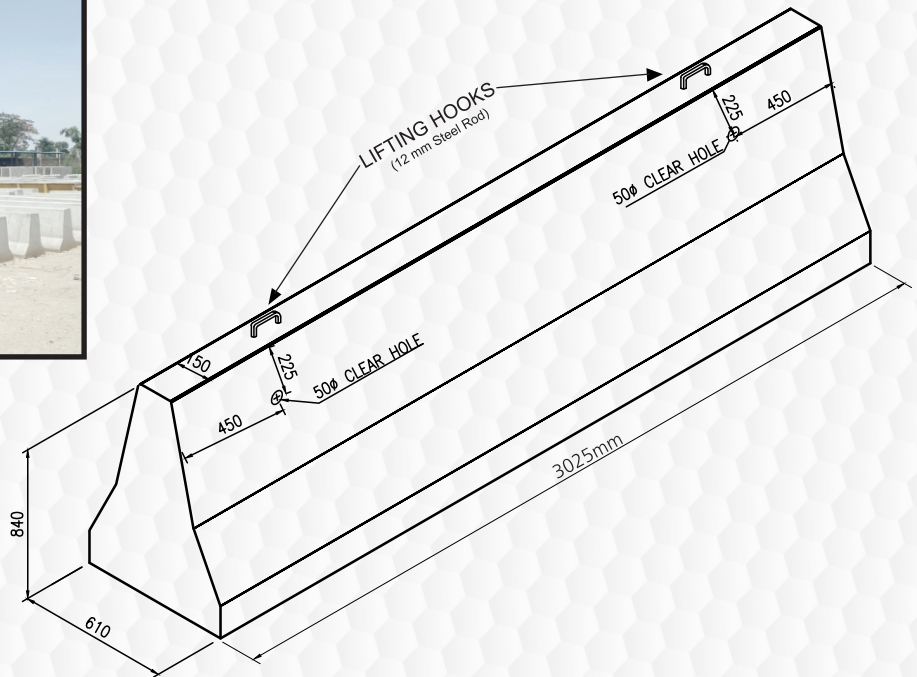
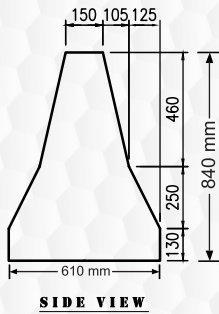
FRONT VIEW OF PRECAST CONCRETE LEGO BLOCKS WALL



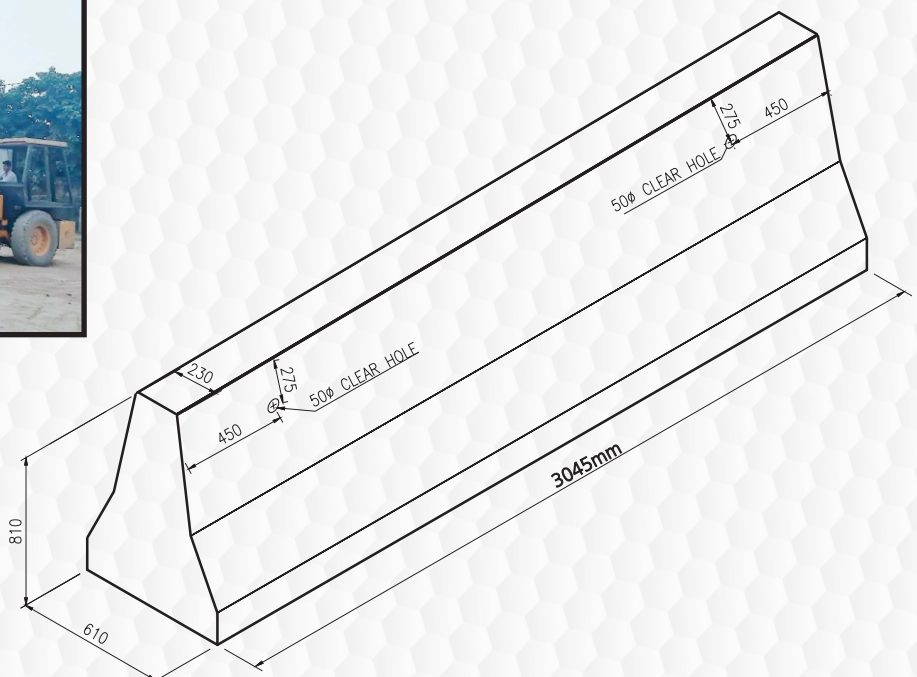
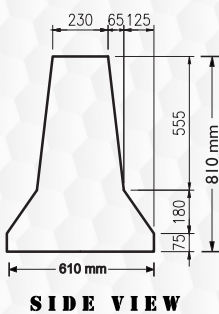
TABLE

S.NO.	BLOCK TYPE	LxWxH (mm)	QTY. 29.76 m ²
1.	WALLBLOCK 28.4.8	2800x400x800	10
2.	WALLBLOCK 16.4.8	1600x400x800	4
3.	WALLBLOCK 12.4.8	1200x400x800	2

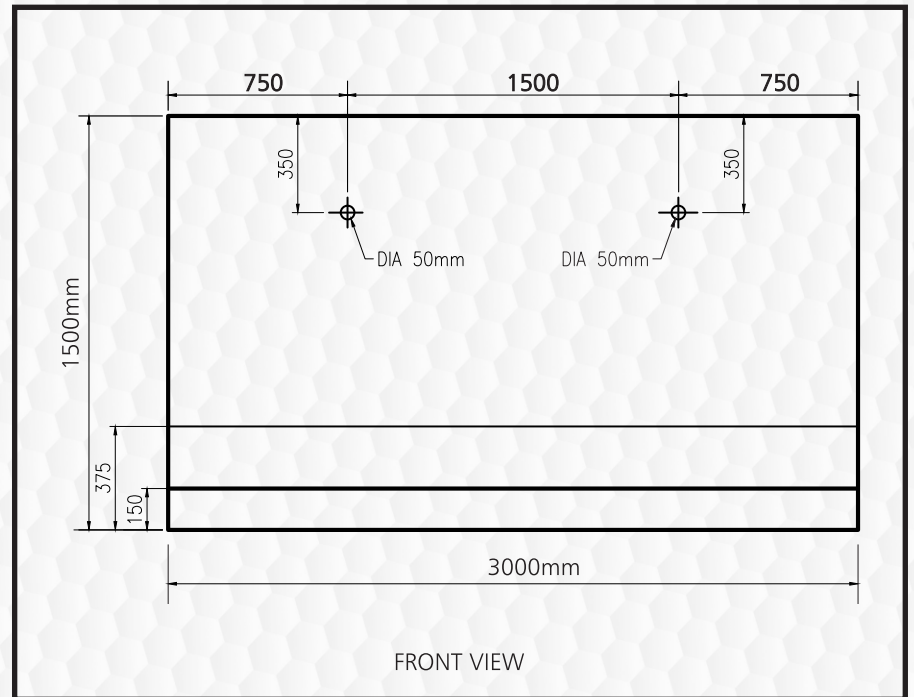
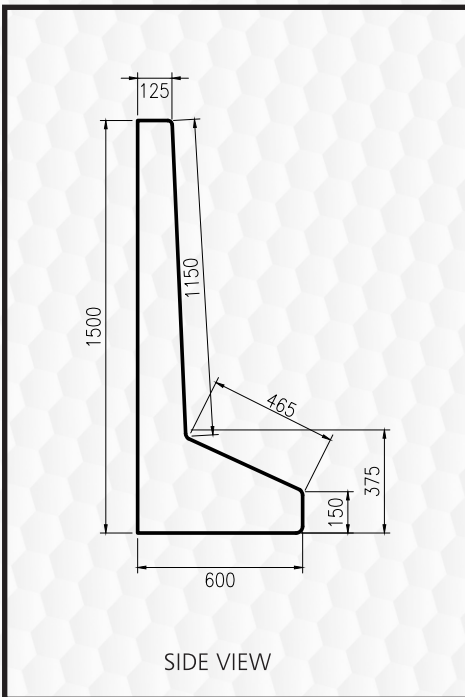
NEW JERSEY BARRIER - 150

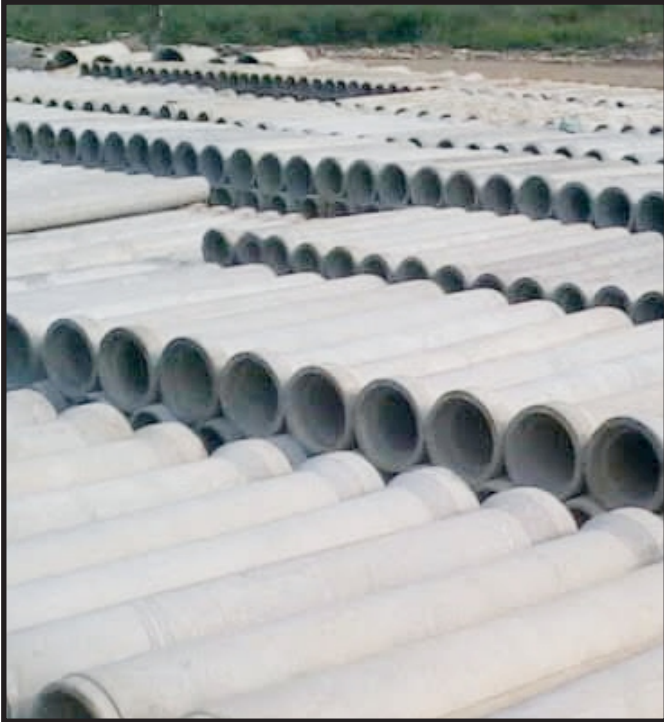


NEW JERSEY BARRIER - 230



SAFETY & RETAINING WALL- 3000x1500x600mm



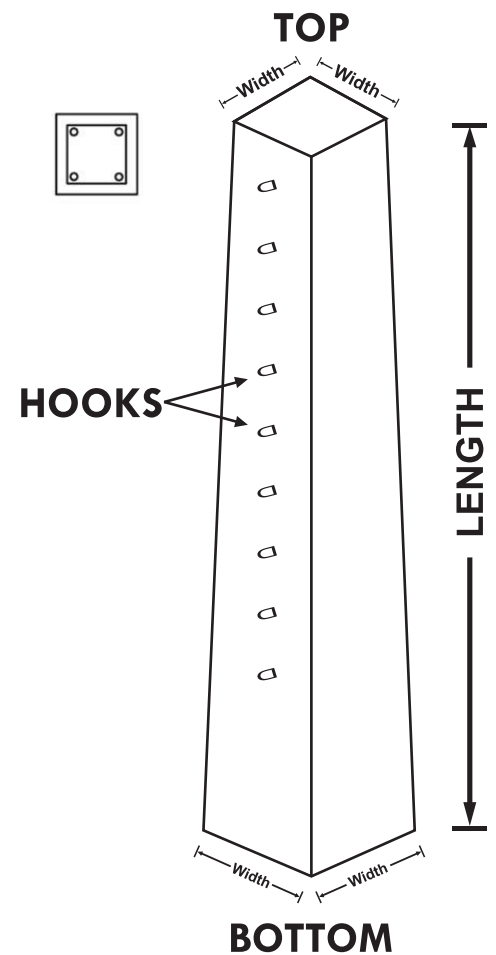


INTERNAL DIAMETER	LENGTH	NP2 CLASS		NP3 CLASS		NP4 CLASS	
		WALL THICKNESS	PIPE WEIGHT	WALL THICKNESS	PIPE WEIGHT	WALL THICKNESS	PIPE WEIGHT
mm	mm	mm	kg	mm	kg	mm	kg
150	2000	25	90	25	100	25	100
200	2000	25	120	30	135	30	135
250	2000	25	140	30	175	30	175
300	2500	30	210	40	280	40	280
350	2500	32	260	75	690	75	690
400	2500	32	290	75	830	75	830
450	2500	35	360	75	910	75	910
500	2500	35	390	75	990	75	990
600	2500	45	540	85	1290	85	1370
700	2500	50	630	85	1410	85	1500
800	2500	50	810	95	1890	95	1990
900	2500	55	1010	100	2260	100	2380



FENCING POST DIMENSIONS

LENGTH (mt)	1.80, 2.10, 2.40
BOTTOM (mm)	150x150, 125x125
TOP	125x125, 100x100
No. of HOOKS	9, 7, 5
Diameter of Reinforcement (mm)	4, 5, 6, 8



KANSAL[®]

VP PRECON LLP

A Unit of Kansal Group of Ind.

**KANSAL HOUSE : 509/5, GOVIND PURI
MAA ANAND MAI MARG, NEW DELHI-110019, INDIA**

Tel. : +91-11-42487333, +91-9818990333

E-mail : info@kansalconcrete.com

web. : www.kansalconcrete.com

WORKS : MATHURA | GREATER NOIDA | FARIDABAD